



R-Shield®

PLUS

**WEATHER RESISTIVE
BARRIERS
CONSTRUCTION MANUAL**

Note: Information deemed reliable at time of printing.
Please visit www.rshieldinsulation.com for the latest information.



WEATHER RESISTIVE BARRIER CONSTRUCTION MANUAL

When you choose R-Shield® PLUS, you're collaborating with a team of experts who work with you every step of the way. We're here to answer your questions, solve your problems, and do everything we can to make sure your project proceeds smoothly—and ends successfully.

R-Shield PLUS products are manufactured by Premier Building Systems. R-Shield PLUS facilities adhere to strict, consistent standards to ensure high-quality.

This network allows us to offer architects, designers and builders the best of both worlds: the resources of the country's largest provider of R-Shield products and systems, and the superior attention and customer service of a local supplier.

Note: Information deemed reliable at time of printing.
Please visit www.rshieldinsulation.com for the latest information.

Table of Contents

R-Shield PLUS

Details

Vertical Application: Fastening	WRB-101.1
Vertical Application: Taping of Joints	WRB-101.2
Horizontal Application: Fastening	WRB-101.3
Horizontal Application: Taping of Joints	WRB-101.4
Termination at Foundation	WRB-102.1
Termination at Soffit	WRB-102.2
Wall/Roof Termination	WRB-102.3
Wall Penetration	WRB-102.4
Window Installation	WRB-103.1
Window Sill	WRB-103.2
Window Head	WRB-103.3
Window Jamb	WRB-103.4
Door Head	WRB-104.1
Door Jamb	WRB-104.2
T&G Joint	WRB-105.1

General Recommendations

R-Shield PLUS Sizes

R-Shield PLUS is made in fanfold and board configurations in a variety of sizes. Boards are most commonly 4' x 8'. Consult the local R-Shield PLUS Manufacturer for sizes, thicknesses, and fabrication services available in your area.

Environmentally Safe

The core material for R-Shield PLUS, R-Shield expanded polystyrene, contains no CFCs, HCFCs, HFCs or formaldehyde and is recyclable. R-Shield expanded polystyrene is inert, non-nutritive and highly stable. Premier Building Systems encourages you to support recycling and energy conservation.

Warranty

Premier Building Systems provide a 50-year warranty covering thermal performance. Contact the local R-Shield PLUS manufacturer for details regarding the warranty program.

Handling - Storage - Protection

R-Shield PLUS should be stored in a fully supported manner and protected from weather. Cover stored R-Shield PLUS with tarps or similar protective wraps. After installing R-Shield PLUS, apply wall cladding when immediately practical.

Expanded Polystyrene (EPS) contains a flame retardant additive. However, the EPS should be considered combustible and used with code approved thermal barriers and should not be stored near any open flame or source of ignition. Do not install or use EPS with coal-tar pitch or highly solvent extended mastics, adhesives or sealants. Consult Premier Building Systems for suggested adhesives, sealants, and assembly specifications not otherwise detailed in this manual.

General Recommendations - cont'd

Joins, Penetrations, Fasteners

At R-Shield PLUS board joints and fastener heads, apply R-Shield PLUS Tape.

Install termination fixtures as required.

Install flashing for penetrations as required.

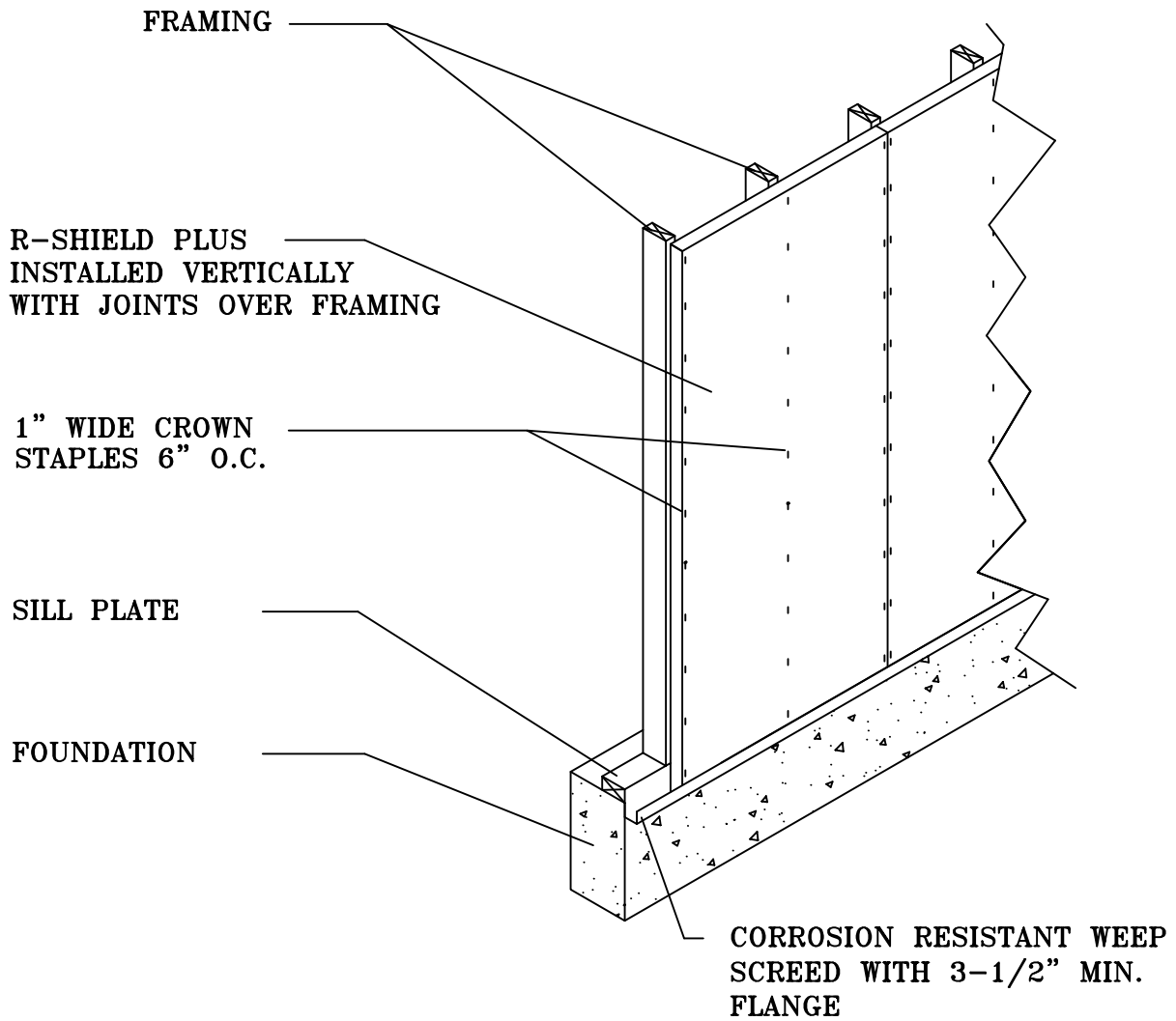
Special Treatments

One of the most destructive forces anywhere is termites. R-Shield can be manufactured with a proven and safe additive, that effectively resists termites.

R-Shield is treated to meet ICC ES AC239, "Acceptance Criteria for Termite-Resistant Foam Plastics."

Disclaimer

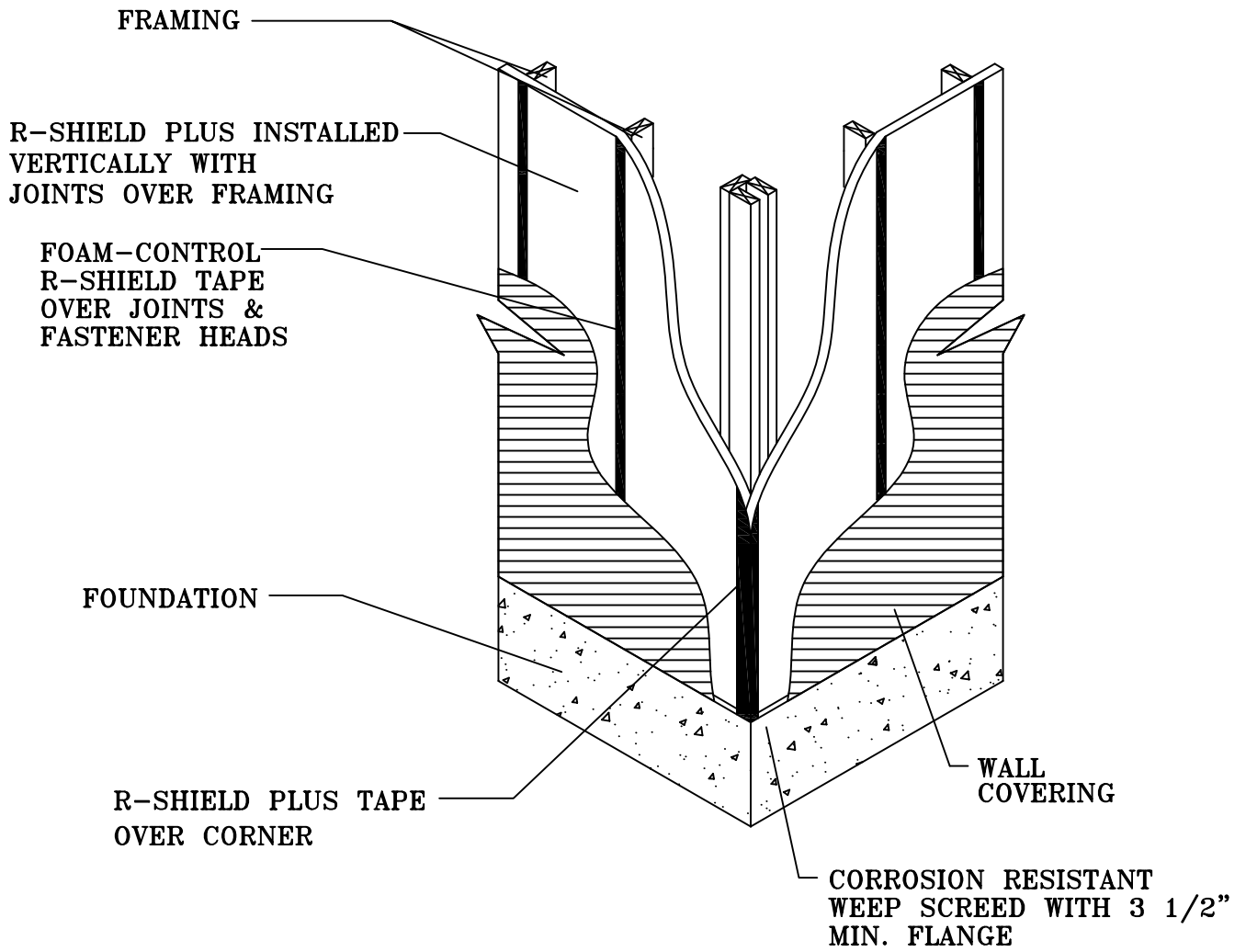
Details, illustrations, pictures and guidelines provided herein give basic information and illustrate examples of R-Shield PLUS installation. The basic information provide herein is not intended to cover every potential use and application of R-Shield PLUS. It is the responsibility of the installer to become familiar with his specific application and determine if R-Shield PLUS is suitable. By commencing work, the installer accepts full responsibility for the proper and safe installation of R-Shield PLUS at his job site. Adding an insulation component may change the behavior of a wall assembly with regard to air movement, water vapor transmittance, bulk water management and heating, cooling and ventilation systems. It is the responsibility of the owner or the owner's representative to design the insulated wall assembly to perform in a manner ensuring function and durability. Furthermore, it is the sole responsibility of the installer to meet all federal and local regulatory requirements for job site safety for himself, his workers and any others on the job site while in the execution of all phases of R-Shield PLUS installation.



REV:	DATE:
1	01/21

R-Shield PLUS
 Vertical Application: Fastening

WRB-101.1

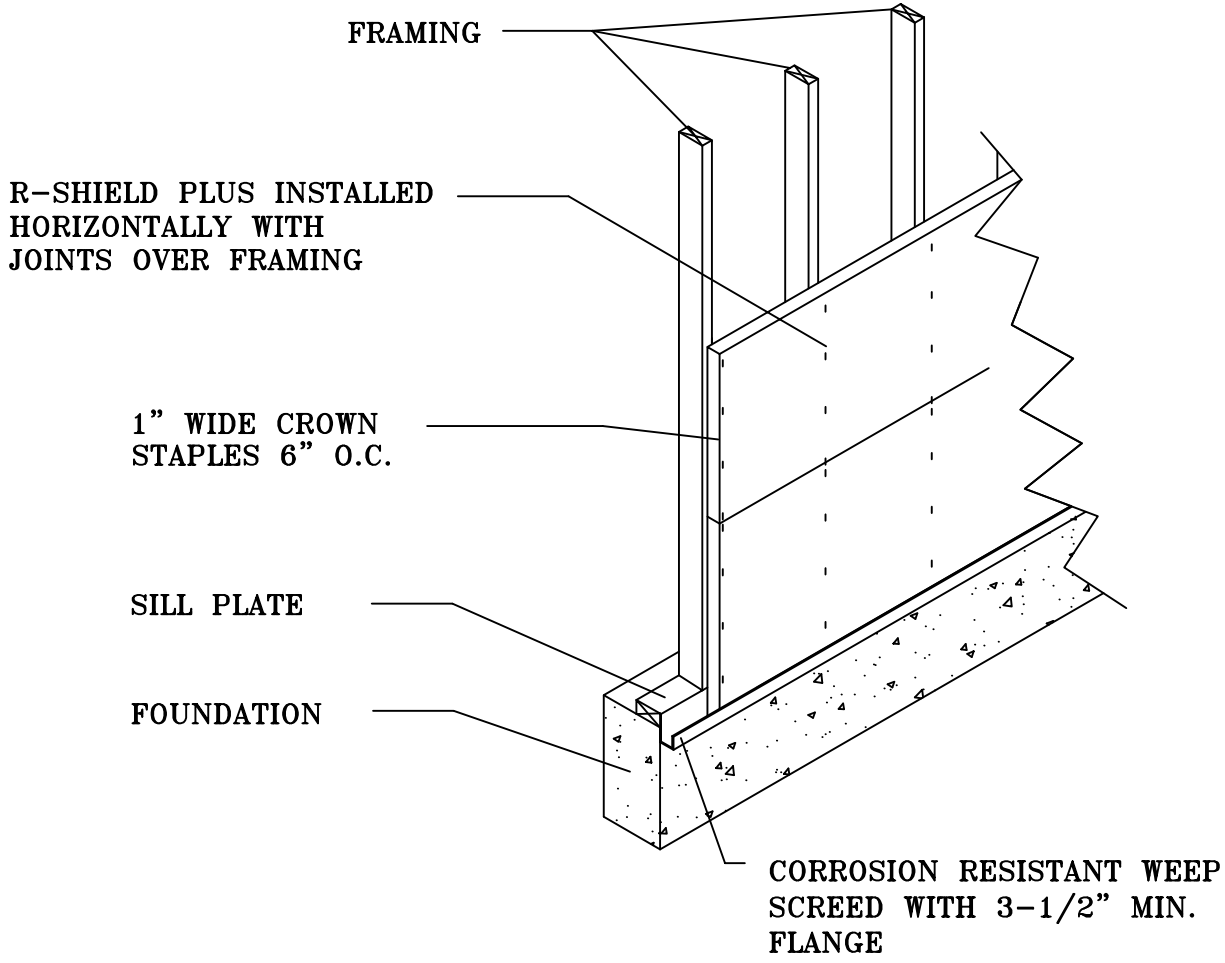


REV:	DATE:
1	01/21

R-Shield PLUS

Vertical Application: Taping of Joints

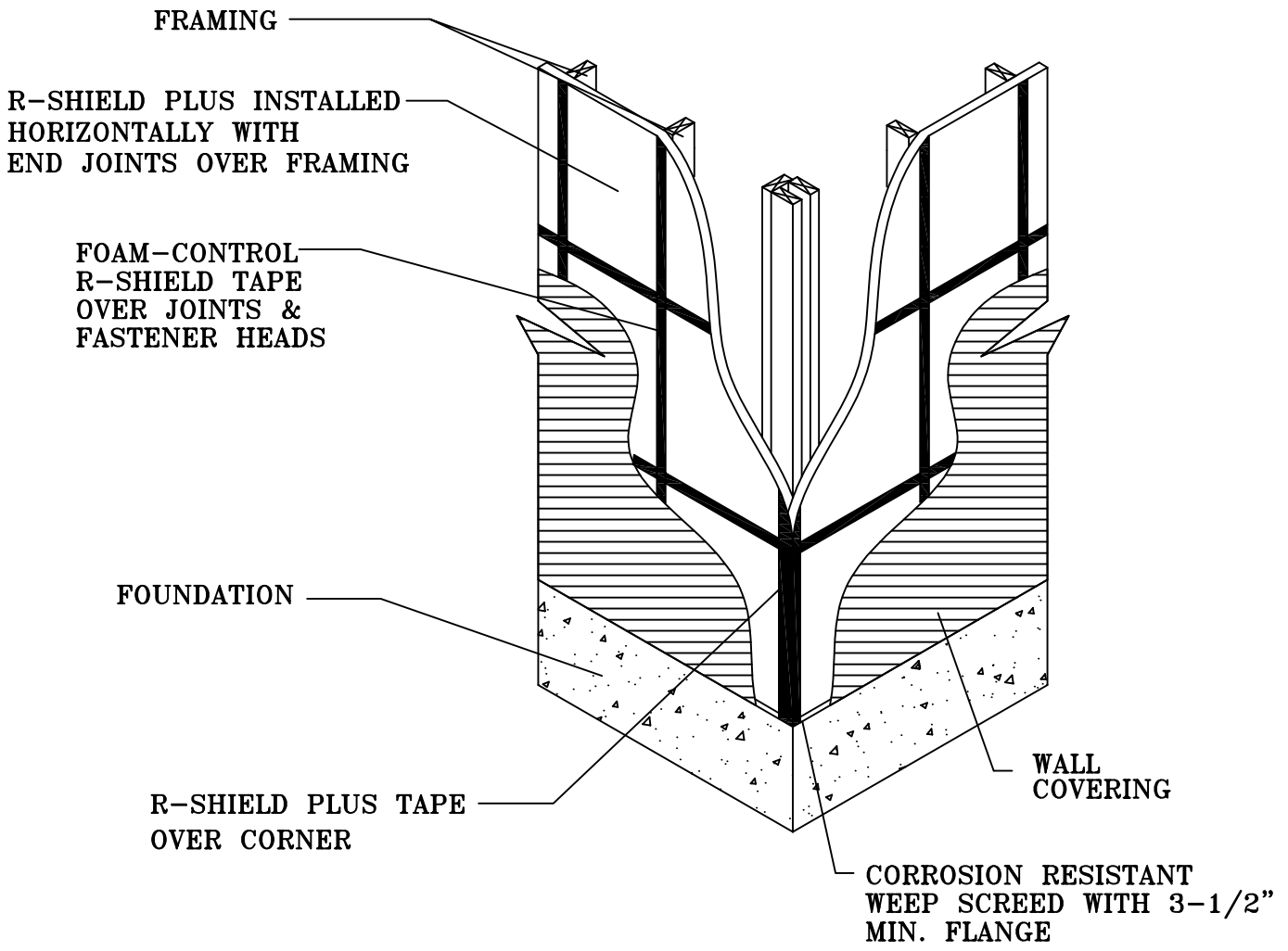
WRB-101.2



REV:	DATE:
1	01/21

R-Shield PLUS
 Horizontal Application: Fastening

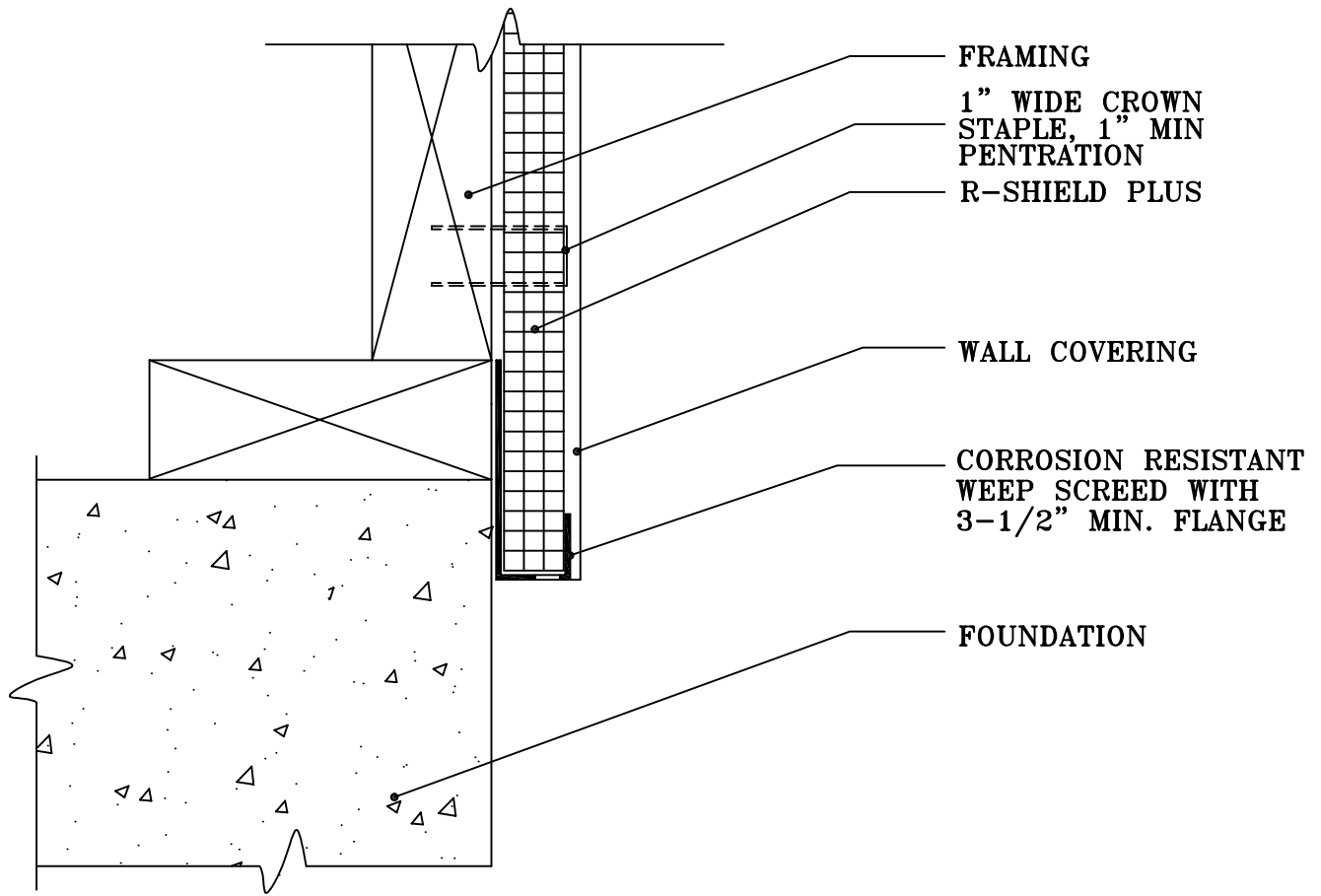
WRB-101.3



REV:	DATE:
1	01/21

R-Shield PLUS
 Horizontal Application: Taping of Joints

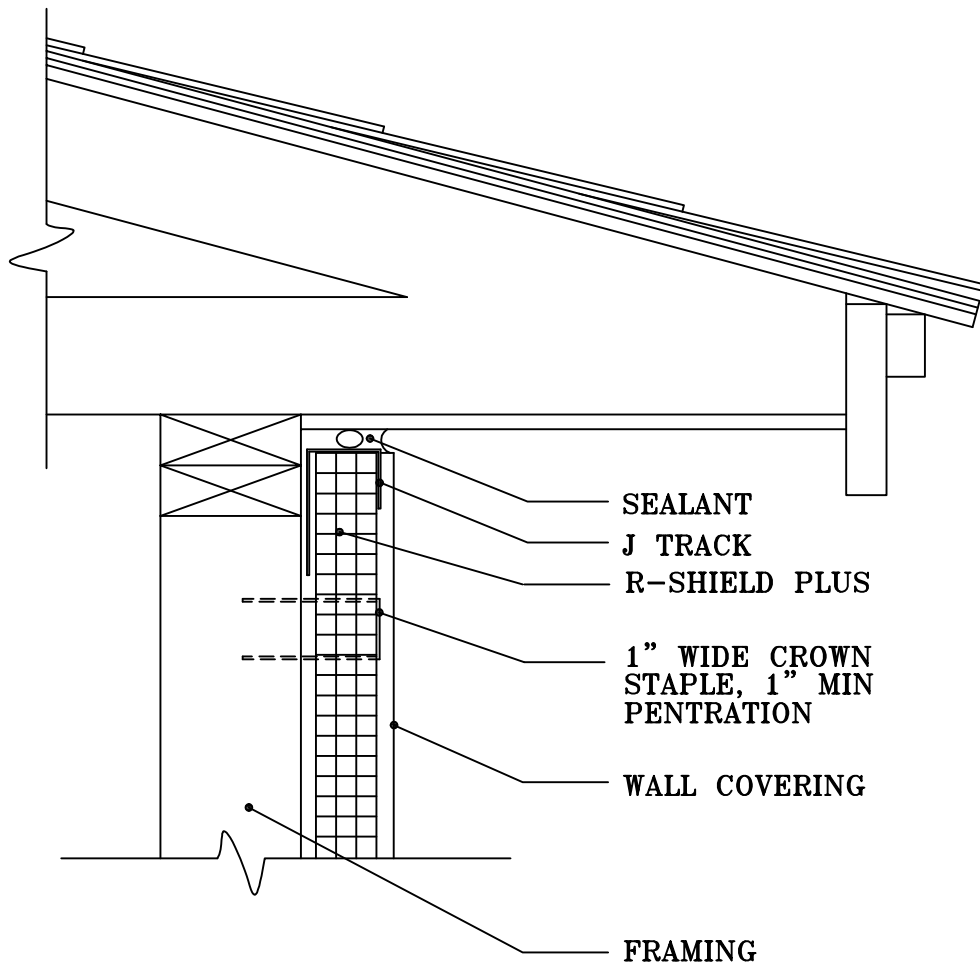
WRB-101.4



REV:	DATE:
1	01/21

R-Shield PLUS
Termination at Foundation

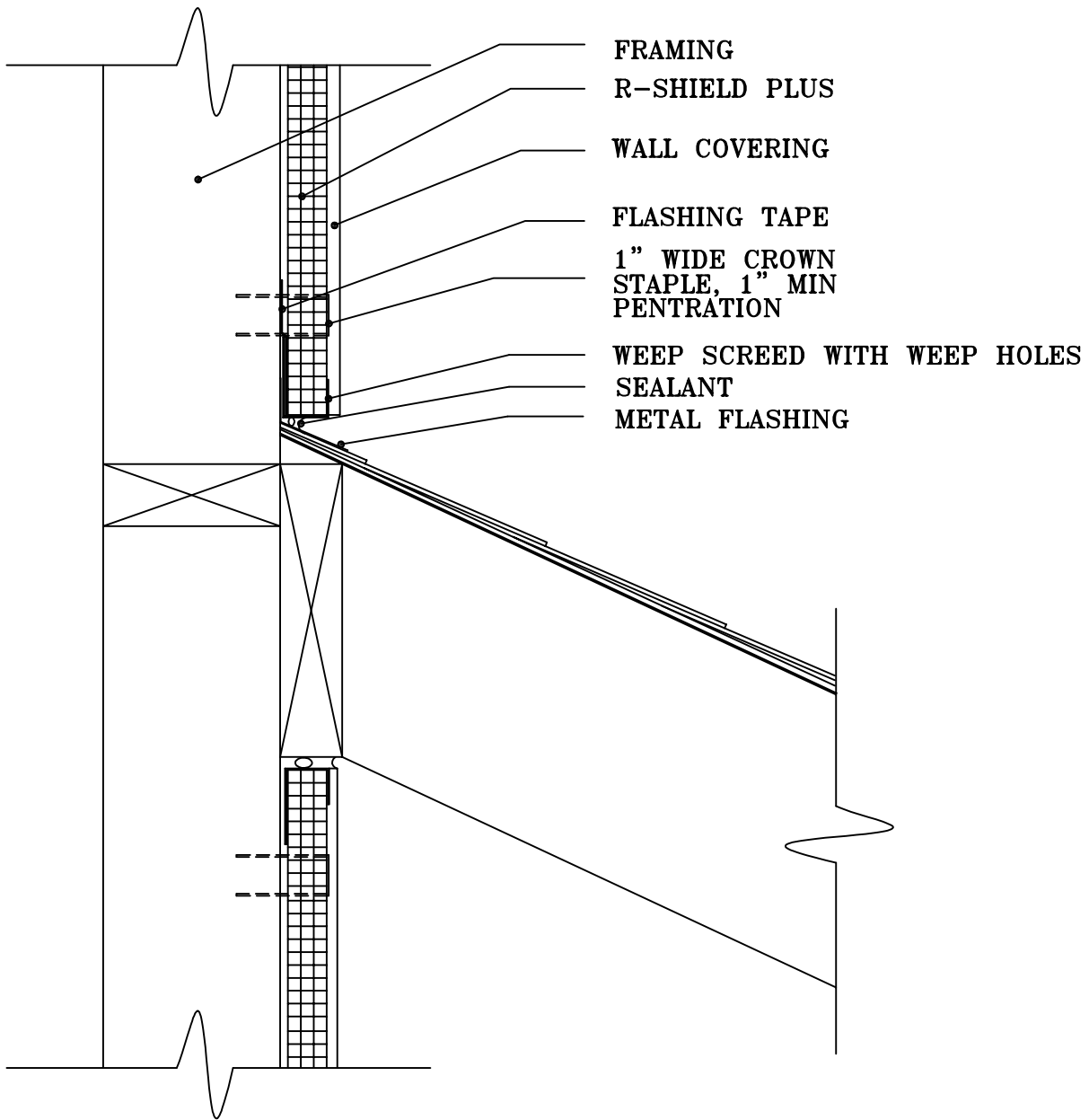
WRB-102.1



REV:	DATE:
1	01/21

R-Shield PLUS
Termination at Soffit

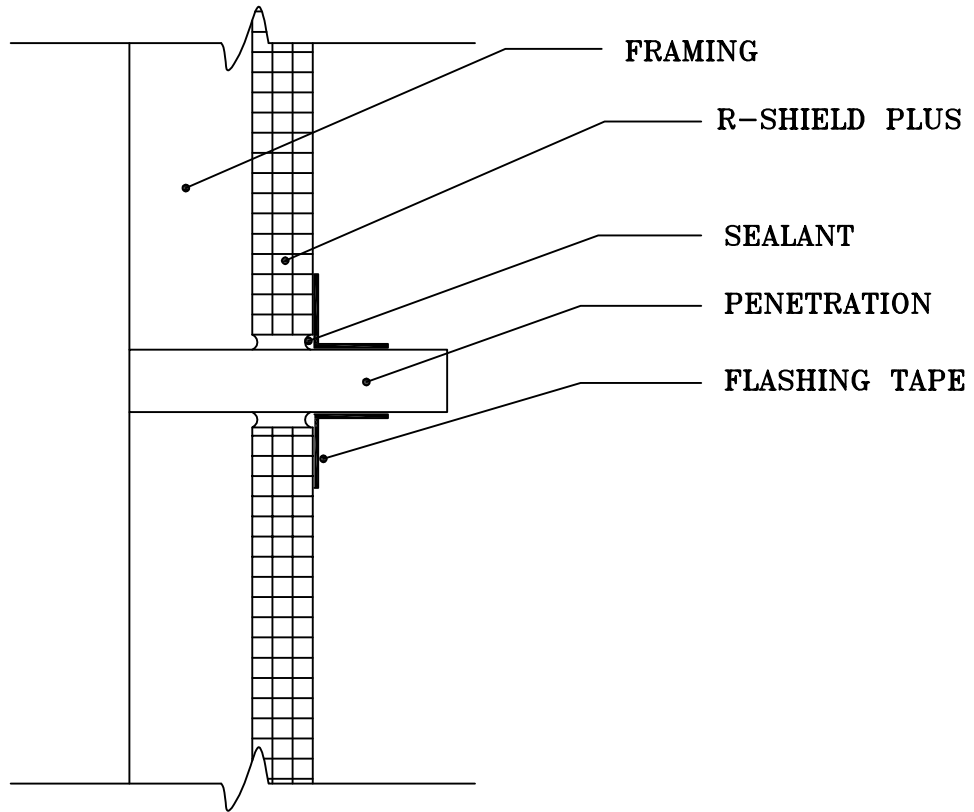
WRB-102.2



REV:	DATE:
1	01/21

R-Shield PLUS
Wall/Roof Termination

WRB-102.3

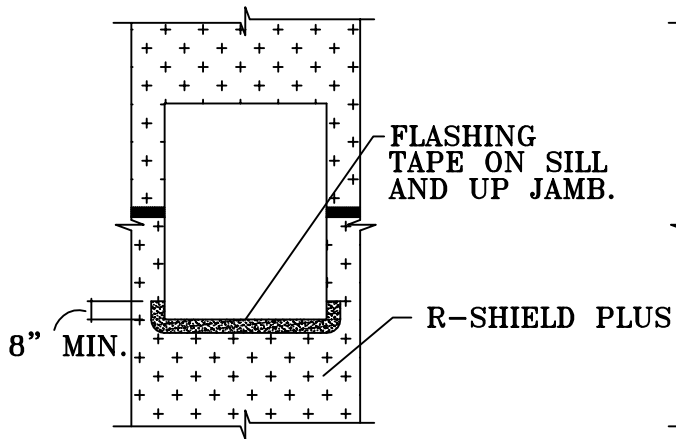


REV:	DATE:
1	01/21

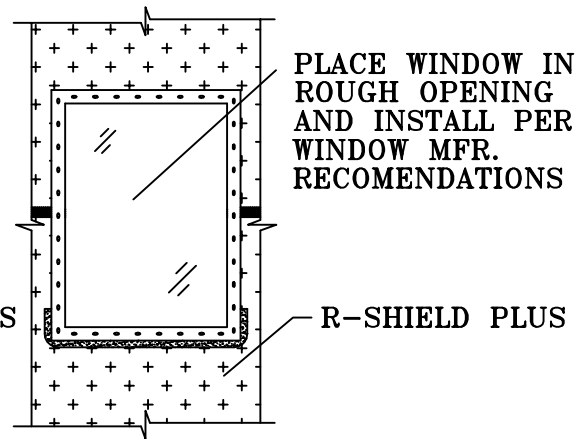
R-Shield PLUS
Wall Penetration

WRB-102.4

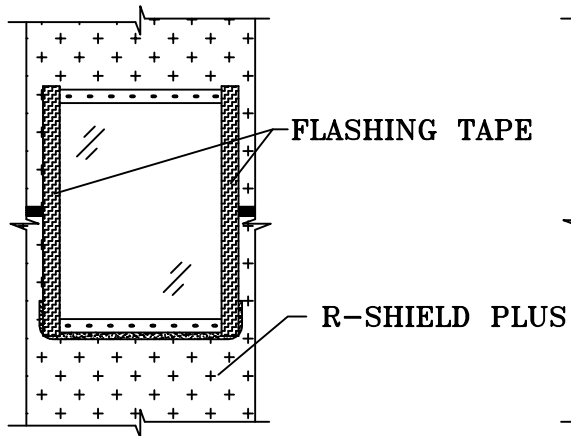
STEP 1



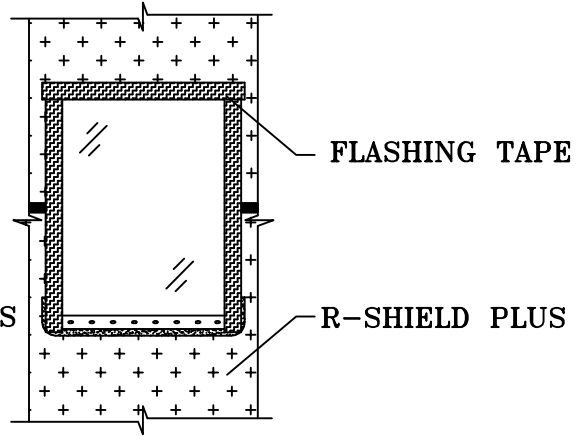
STEP 2



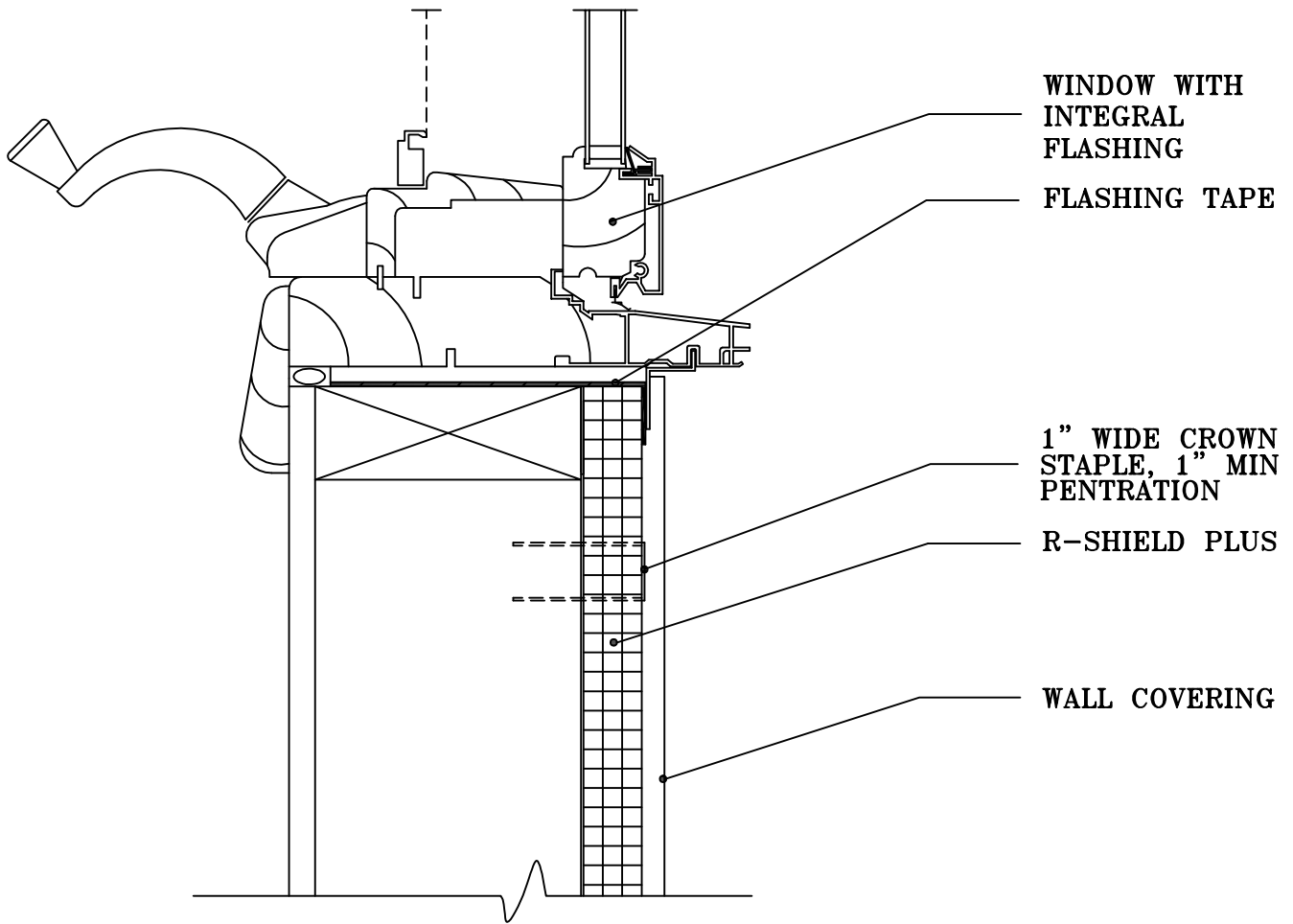
STEP 3



STEP 4



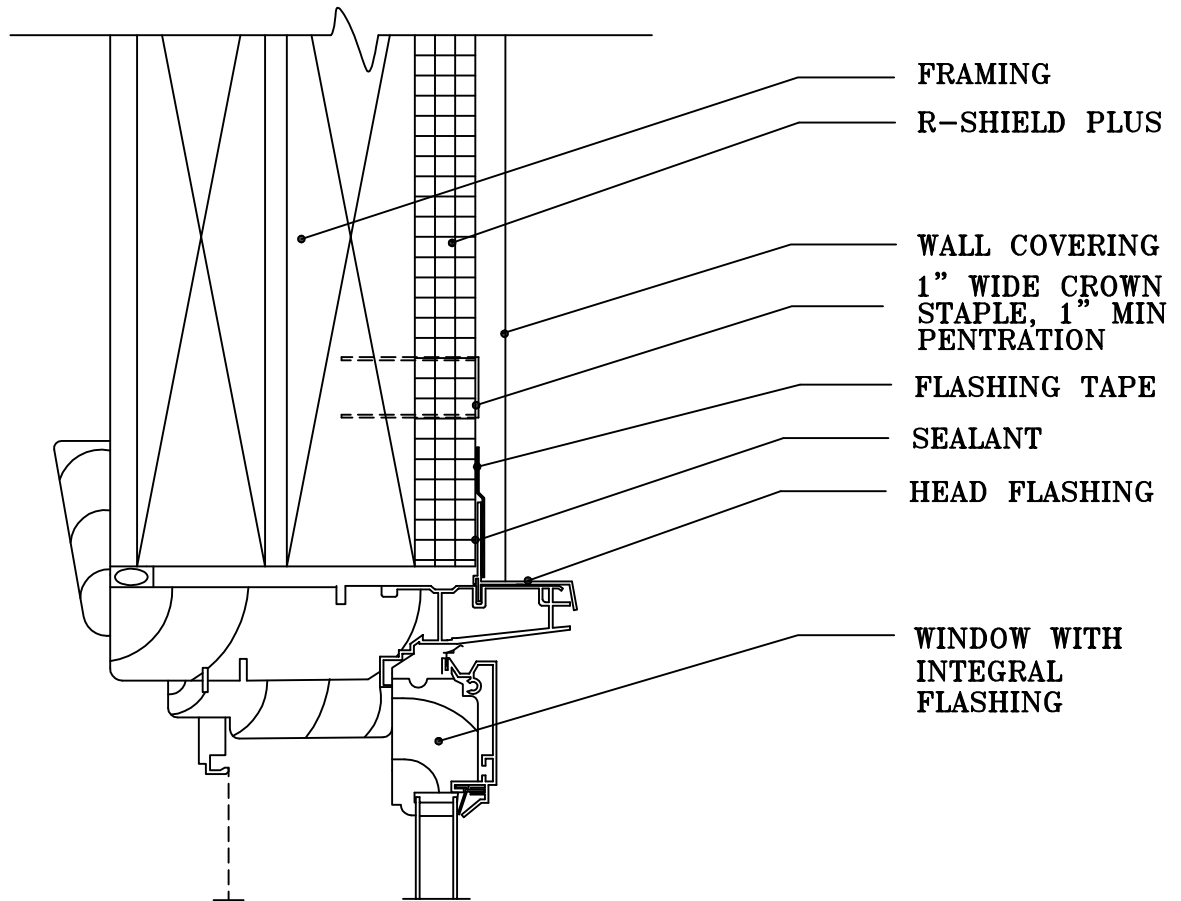
REV:	DATE:
1	01/21



REV:	DATE:
1	01/21

R-Shield PLUS
Window Sill

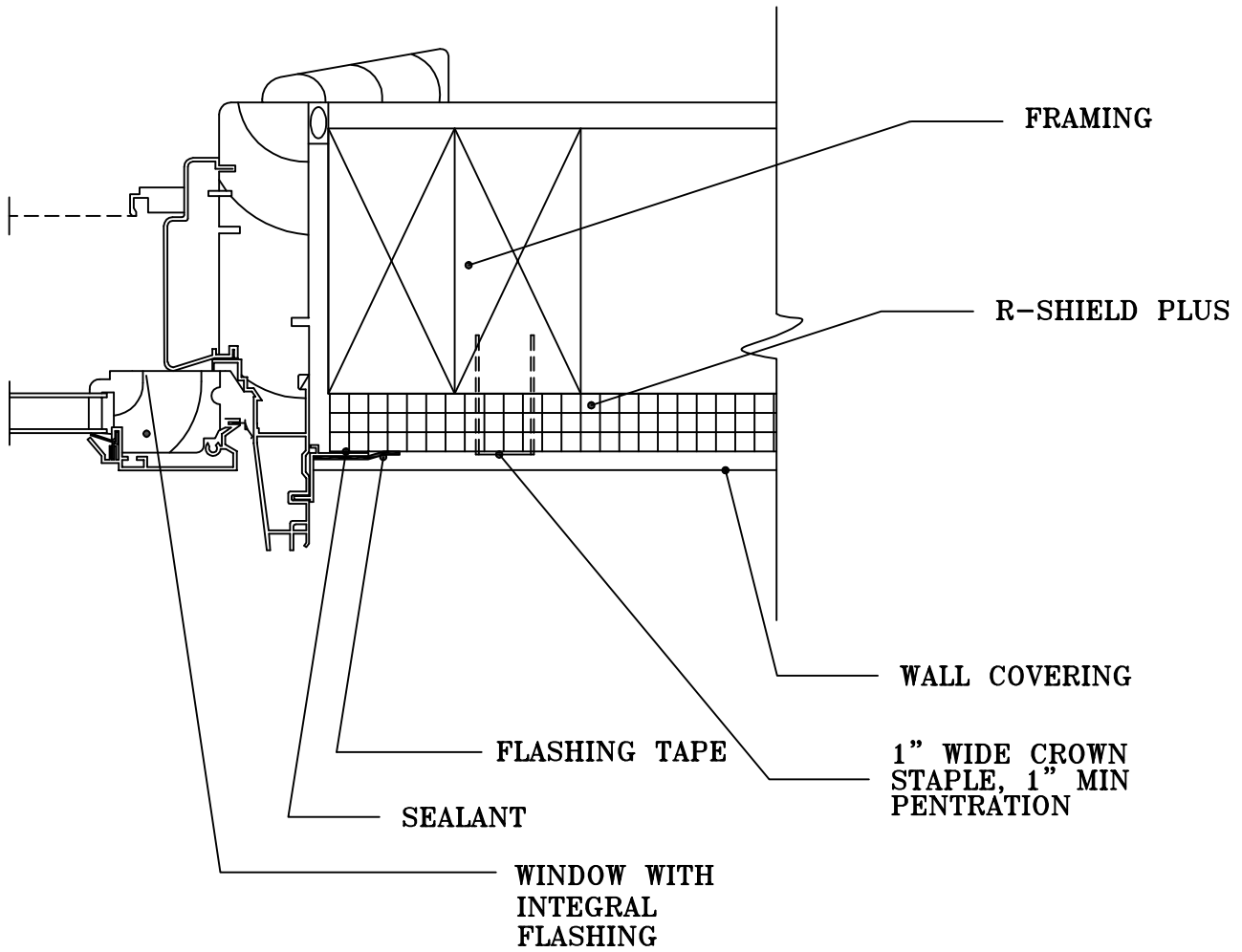
WRB-103.2



REV:	DATE:
1	01/21

R-Shield PLUS
Window Head

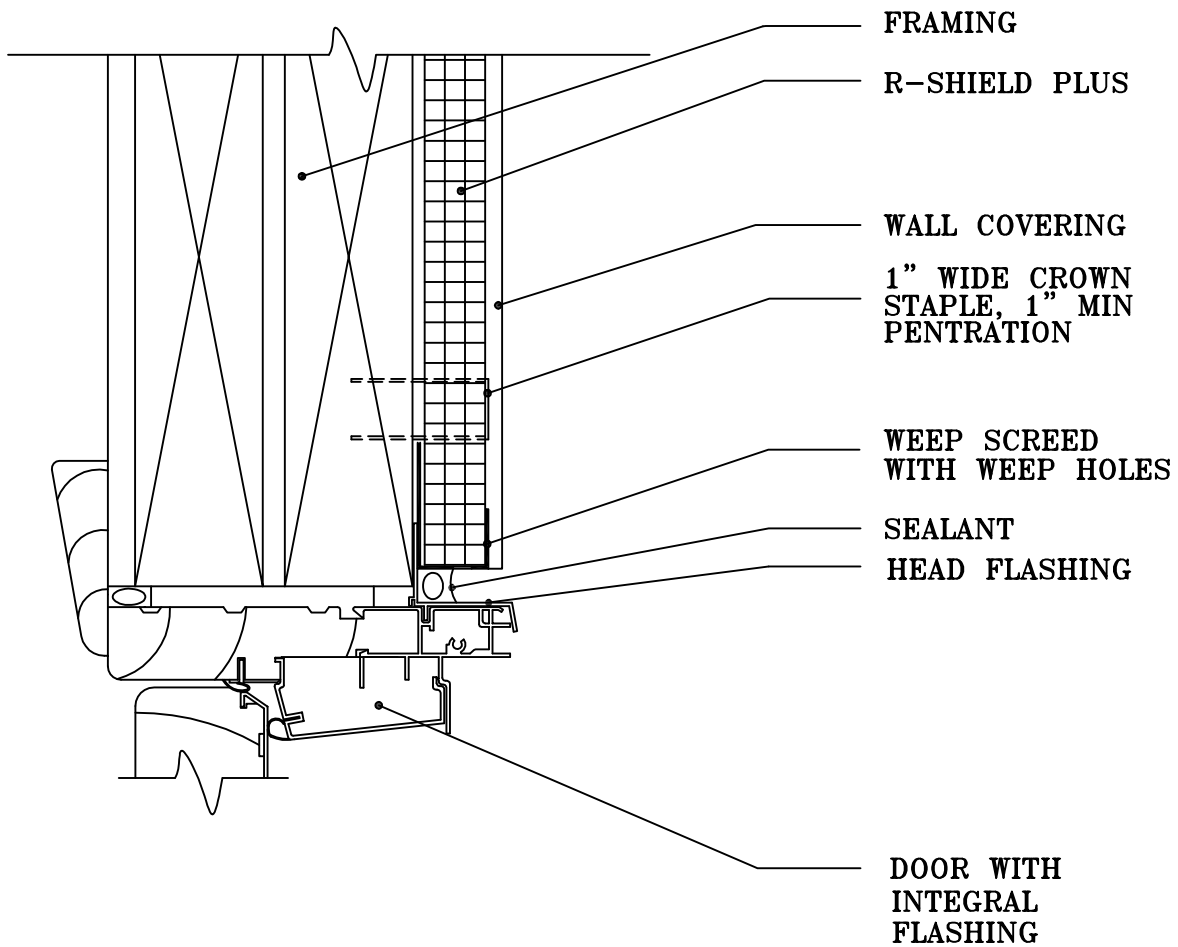
WRB-103.3



REV:	DATE:
1	01/21

R-Shield PLUS
Window Jamb

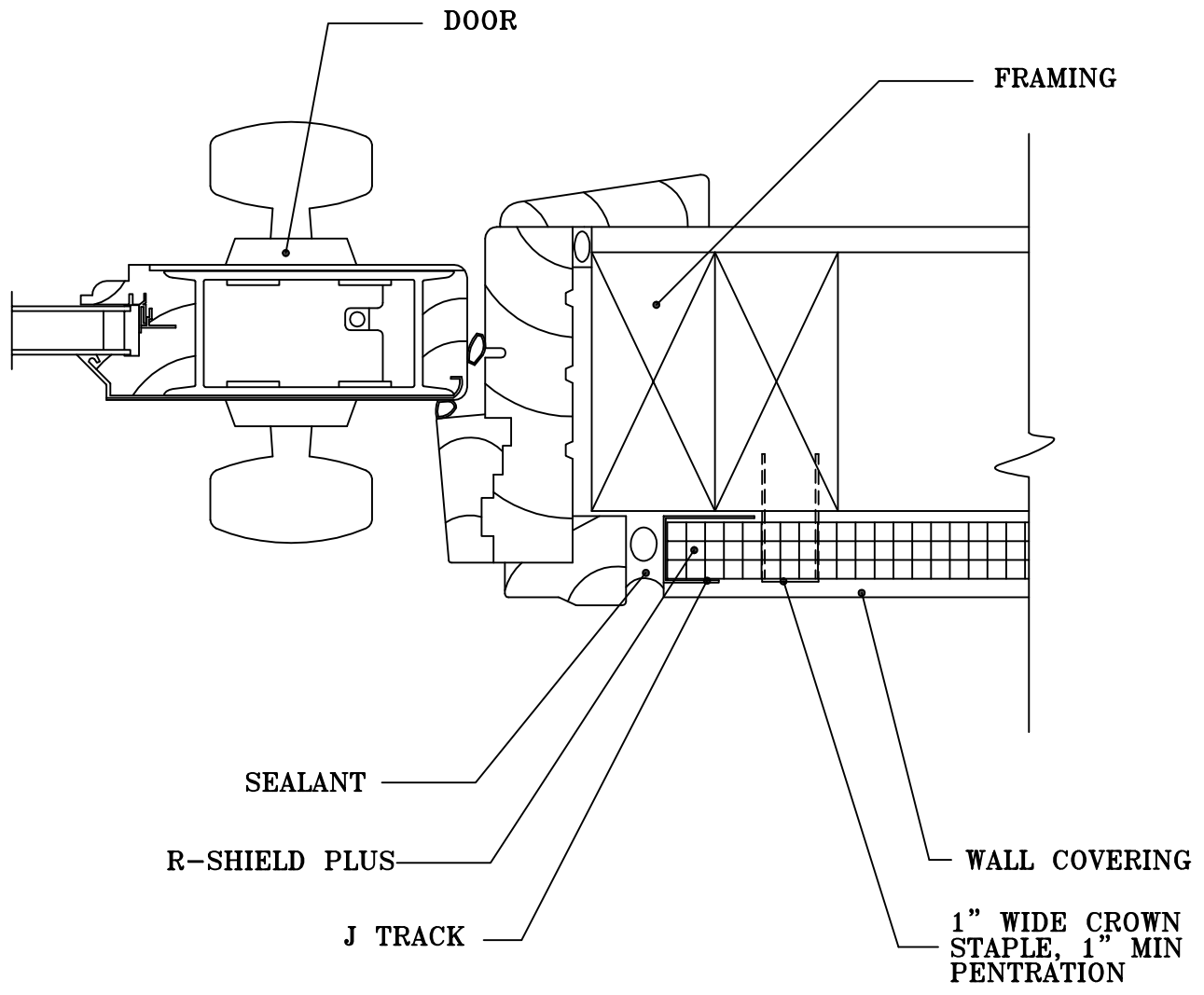
WRB-103.4



REV:	DATE:
1	01/21

R-Shield PLUS
Door Head

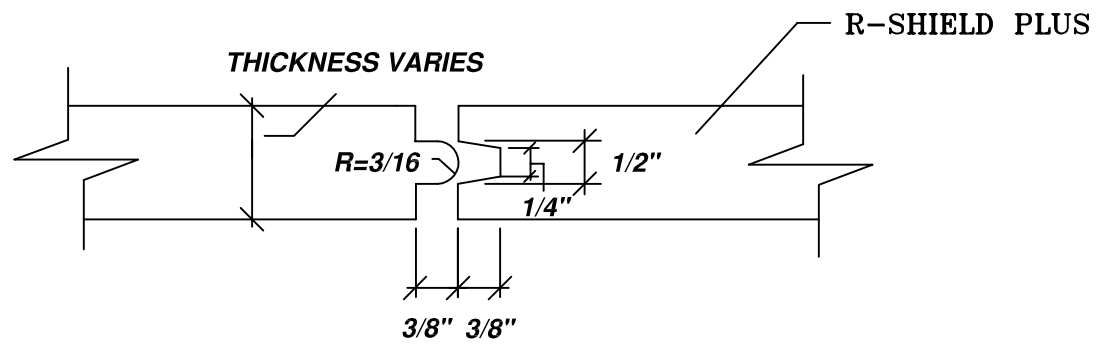
WRB-104.1



REV:	DATE:
1	01/21

R-Shield PLUS
Door Jamb

WRB-104.2



REV:	DATE:
1	01/21

R-Shield PLUS
T&G Joint

WRB-105.1

Product Availability and Support.

R-Shield PLUS is supported by a team of experts who work with you to answer your questions, offer solutions, and do everything they can to make sure your project goes smoothly and ends successfully.

Ready to take control? Start here.

If you're ready to have R-Shield contribute to your next project, just contact your Premier Building Systems Technical Sales Representative. They will be happy to give you design consultation, information about R-Shield products, pricing, and answers to all of your questions.

A PRODUCT OF
PREMIER
BUILDING SYSTEMS



www.rshieldinsulation.com | 800-766-3626

Copyright © 2022. R-Shield is a registered trademark of Premier Building Systems. RSI PS10 08/22